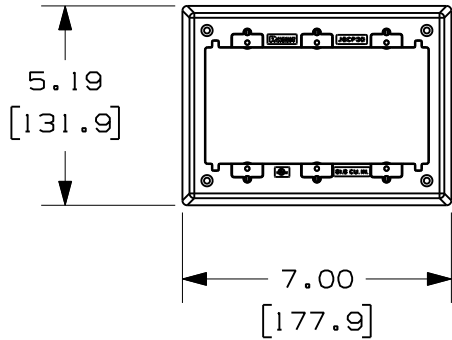
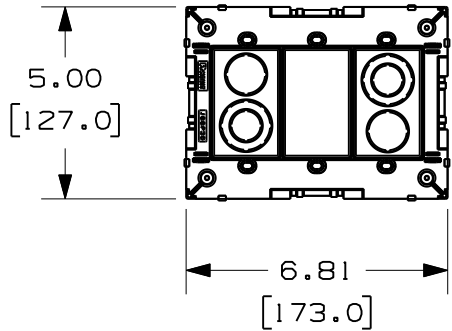
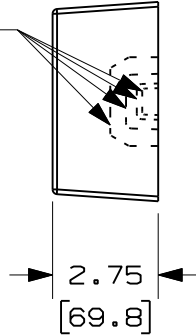


THIS COPY IS PROVIDED ON A RESTRICTED BASIS AND IS NOT TO BE USED IN ANY WAY DETRIMENTAL TO THE INTERESTS OF PANDUIT CORP.

| PANDUIT PART NUMBER | WEIGHT                                 | VOLUME CU. IN./CC |
|---------------------|--|-------------------|
| JBP3D               | $\triangle A$ 0.57 LB/PC<br>257.5 g/PC | 81.6<br>(1337)    |

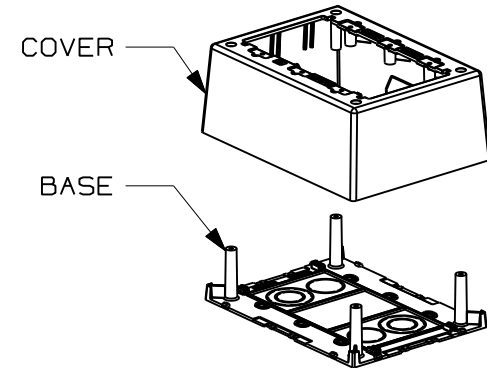


BREAKOUTS  
SEE NOTE 3



**NOTES:**

1. SEE CURRENT CATALOG FOR ADDITIONAL PART SUFFIXES TO INDICATE COLOR AND OR PACKAGE QUANTITY.
2. CONCENTRIC BREAKOUTS TO ACCOMMODATE CONDUIT SIZES OF 1/2", 3/4", AND 1" DIAMETERS.
3. BREAKOUTS ARE PROVIDED ON ALL FOUR SIDES OF COVER FOR T45, LDS, PD, LDPH & LD RACEWAYS.
4. DIMENSIONS IN PARENTHESES ARE IN METRIC.



CAD FILENAME/LAYERS 10Y003BA\_DC\_JBP3D/00B

**PANDUIT** CORP TINLEY PARK, ILLINOIS  
**PAN-WAY 3 GANG DEEP  
 JUNCTION BOX (JBP3D)**  
 CUSTOMER DRAWING

UNLESS OTHERWISE SPECIFIED,  
 DIMENSIONAL TOLERANCES ARE:

(.XX) ± .03 [.8]  
 (.XXX) ± .005 [.127]  
 ANGLES ±

UNLESS OTHERWISE SPECIFIED, ALL  
 DIMENSIONS ARE GIVEN IN INCHES,  
 THIRD ANGLE PROJECTION

| REV | DATE     | BY   | CHK  | DESCRIPTION                           | ECN         | CHK  | CUST | SUP |
|-----|----------|------|------|---------------------------------------|-------------|------|------|-----|
| --  | -----    | ---- | ---- | RELEASED TO PRODUCTION                | -----       | ---- | ---- |     |
| 1   | 06.03.11 | RMHI | RMHI | A. PART WEIGHT EST REVISED TO ACTUALS | 10Y003BA-DC | RMHI | RTF1 |     |
| R   | 03.17.11 | BDK  | RMHI | DRAWING RELEASED                      |             |      |      |     |

|          |          |              |     |             |             |
|----------|----------|--------------|-----|-------------|-------------|
| DRAWN BY | BDK      | MAT'L/COLOR: | PVC | SCALE       | N.T.S.      |
| DATE     | 03.17.11 |              |     | DRAWING NO. | 10Y003BA-DC |
| CK'D     | RMHI     |              |     | DWG<br>SIZE | A           |